



Application

- Can be used to transfer clean or slightly dirty water or other liquids similar to water in physical and chemical properties
- Suitable to be immersed in water for lifting water from the well or the pool, and draining water from the basement

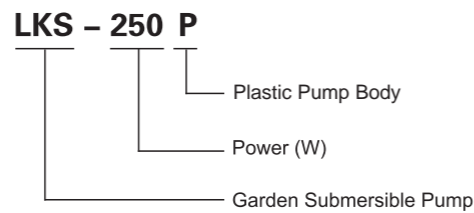
Pump

- Engineering plastic pump body
- Extensive use with two outlets
- Float switch ensures automatic cut-in and cut-out
- Max. liquid temperature: +35°C
- Max. immersion depth: 7 m
- Max. diameter of particle: 5 mm

Motor

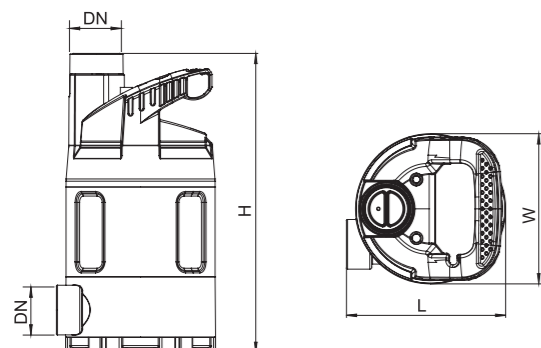
- Motor with aluminum winding
- Built-in thermal protector
- Insulation class: F
- Protection class: IPX8

Identification Codes



Technical Data

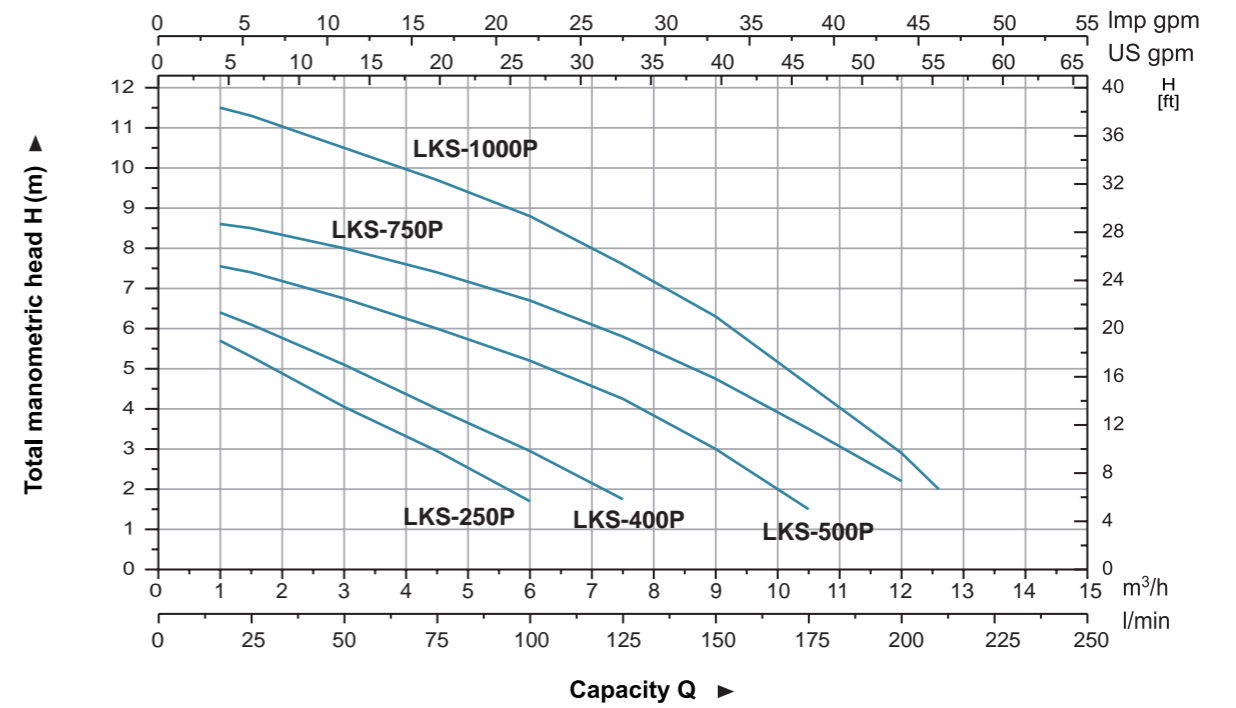
MODEL	POWER		Q (m³/h)	H (m)											
	W	HP		Q (l/min)	0.9	1.5	3	4.5	6	7.5	9	10.5	12	12.6	
LKS-250P	250	0.3	15	5.8	5.3	4.1	3	1.7	-	-	-	-	-		
LKS-400P	400	0.5	25	6.5	6.1	5.1	4	3	1.8	-	-	-	-		
LKS-500P	500	0.7	50	7.6	7.4	6.8	6	5.2	4.3	3	1.5	-	-		
LKS-750P	750	1	75	8.7	8.5	8	7.4	6.7	5.8	4.8	3.5	2.2	-		
LKS-1000P	1000	1.3	100	11.6	11.3	10.5	9.7	8.8	7.6	6.3	4.6	2.9	2		



Dimension

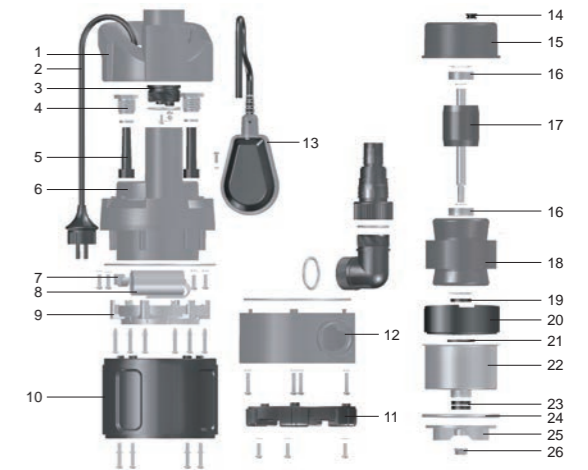
Model	DN	L (mm)	W (mm)	H (mm)
LKS-250P	32	157	148	295
LKS-400P		157	148	295
LKS-500P		157	148	316
LKS-750P		157	148	316
LKS-1000P		157	148	353

Hydraulic Performance Curves



Materials Table

No.	Part	Material	No.	Part	Material
1	Handle	PP	14	Wire jacket	NBR
2	Cable	Rubber	15	Upper cover	
3	Plug	PP	16	Bearing	
4	Nut	PP	17	Rotor	
5	Cable jacket	EPDM	18	Stator	
6	Roof	PP	19	Lip seal	
7	Capacitor clip	PC/ABS	20	Bearing seat	ZL102
8	Capacitor		21	O-ring	NBR
9	Retainer ring	PP	22	Stator cover	Steel
10	Pump body	PP	23	Lip seal	
11	Base plate	PP	24	O-ring	NBR
12	Base	PP	25	Impeller	PA6
13	Float switch	PP	26	Nut	Stainless steel



Package Information

Model	GW (Kgs)	L (mm)	W (mm)	H (mm)	Quantity (PCS/20 TEU)
LKS-250P	4.4	210	160	330	2064
LKS-400P	4.6	210	160	330	2064
LKS-500P	5.2	210	160	330	2064
LKS-750P	6	210	160	330	2064
LKS-1000P	6.4	210	160	370	1720





Application

- Can be used to transfer clean or slightly dirty water or other liquids similar to water in physical and chemical properties
- Suitable to be immersed in water for lifting water from the well or the pool, and draining water from the basement

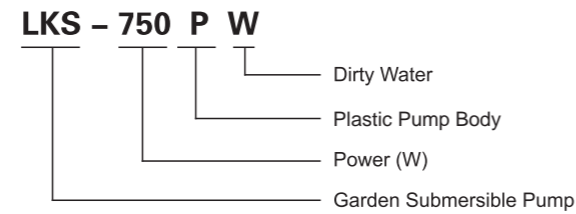
Pump

- Engineering plastic pump body
- Extensive use with two outlets
- Max.liquid temperature: +35°C
- Float switch ensures automatic cut-in and cut-out
- Max. immersion depth: 7 m
- Max. diameter of particle: 25 mm

Motor

- Motor with aluminum winding
- Built-in thermal protector
- Insulation class: F
- Protection class: IPX8

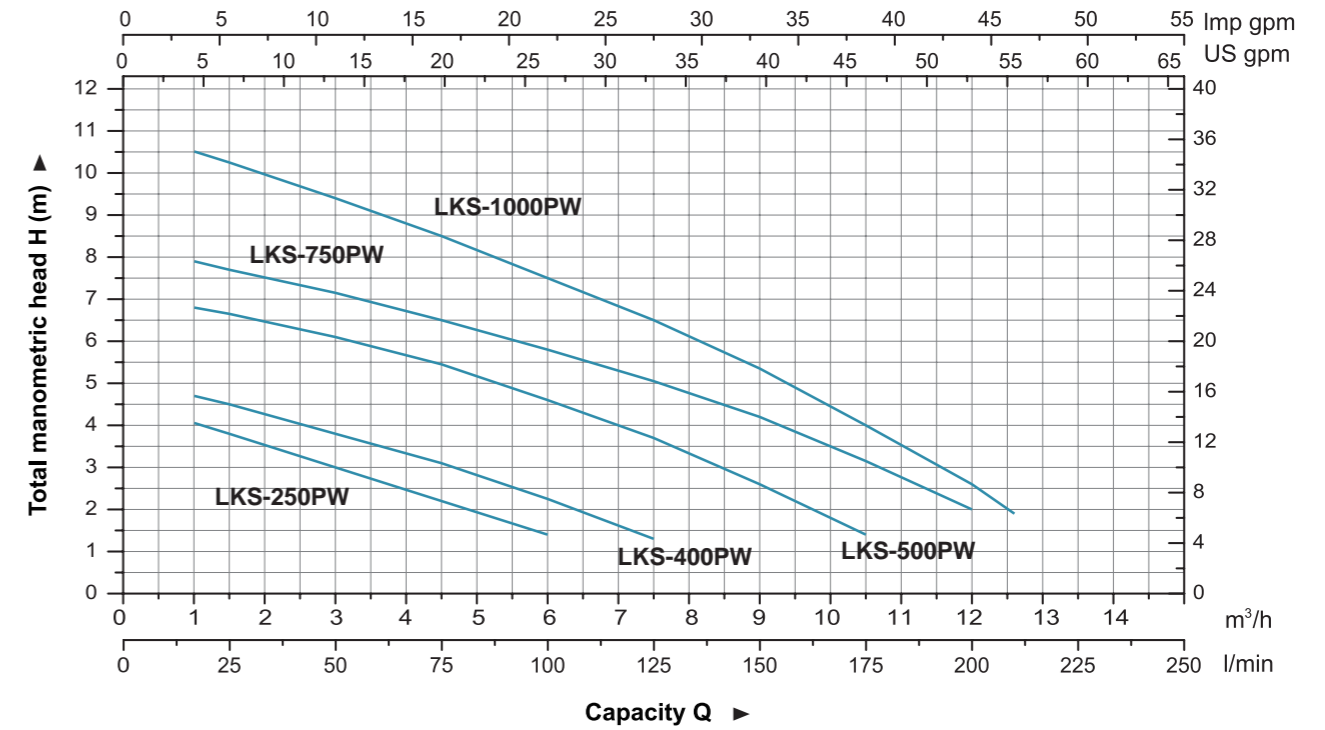
Identification Codes



Technical Data

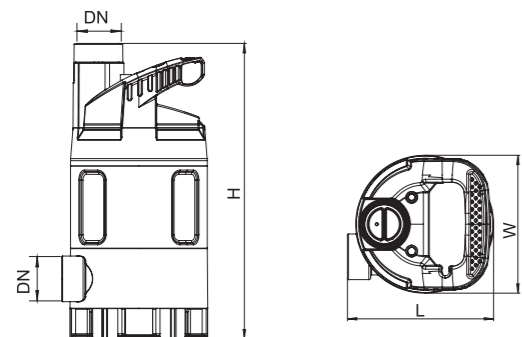
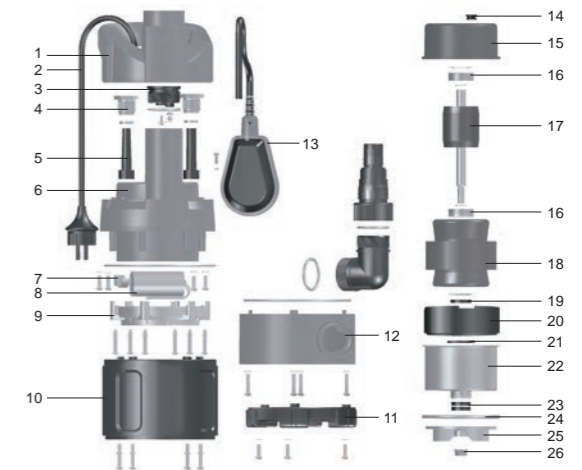
MODEL	POWER		Q (m³/h)	H (m)											
	W	HP		Q (l/min)	0.9	1.5	3	4.5	6	7.5	9	10.5	12	12.6	
LKS-250PW	250	0.3		4.1	3.8	3	2.2	1.4	-	-	-	-	-	-	
LKS-400PW	400	0.5		4.7	4.5	3.8	3.1	2.3	1.3	-	-	-	-		
LKS-500PW	500	0.7		6.8	6.7	6.1	5.5	4.6	3.7	2.6	1.4	-	-		
LKS-750PW	750	1		7.9	7.7	7.2	6.5	5.8	5.1	4.2	3.2	2	-		
LKS-1000PW	1000	1.3		10.6	10.3	9.4	8.4	7.5	6.5	5.4	4.1	2.6	1.9		

Hydraulic Performance Curves



Materials Table

No.	Part	Material	No.	Part	Material
1	Handle	PP	14	Wire jacket	NBR
2	Cable	Rubber	15	Upper cover	
3	Plug	PP	16	Bearing	
4	Nut	PP	17	Rotor	
5	Cable jacket	EPDM	18	Stator	
6	Roof	PP	19	Lip seal	
7	Capacitor clip	PC/ABS	20	Bearing seat	ZL102
8	Capacitor		21	O-ring	NBR
9	Retainer ring	PP	22	Stator cover	Steel
10	Pump body	PP	23	Lip seal	
11	Base plate	PP	24	O-ring	NBR
12	Base	PP	25	Impeller	PA6
13	Float switch	PP	26	Nut	Stainless steel



Dimension

Model	DN	L (mm)	W (mm)	H (mm)
LKS-250PW	32	157	148	318
LKS-400PW		157	148	318
LKS-500PW		157	148	339
LKS-750PW		157	148	339
LKS-1000PW		157	148	371

Package Information

Model	GW (Kgs)	L (mm)	W (mm)	H (mm)	Quantity (PCS/20 TEU)
LKS-250PW	4.5	210	160	370	2064
LKS-400PW	4.8	210	160	370	2064
LKS-500PW	5.0	210	160	370	2064
LKS-750PW	6.1	210	160	350	2064
LKS-1000PW	7.7	210	160	380	1720

